

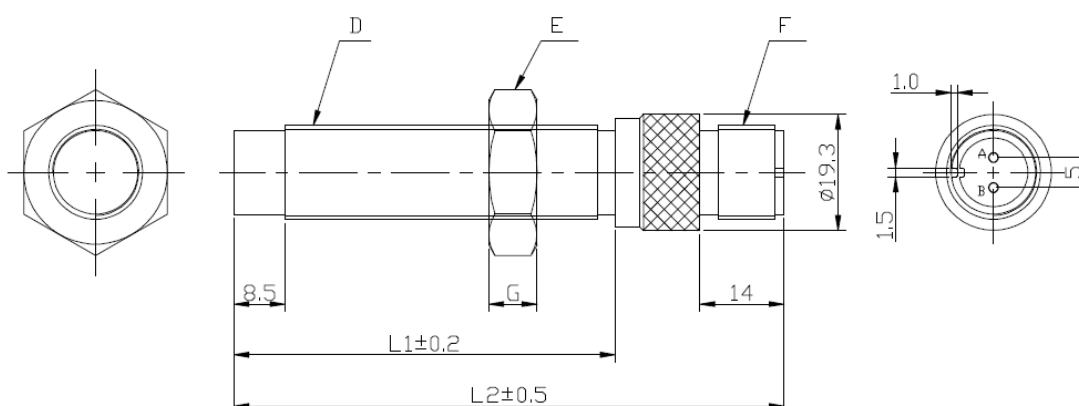
OH Series Magnetic Pickup

OH Series Magnetic Pickup is based on Hall effect or coil induction. They are used to measure the movement and speed of gear, crankshaft, rotating spokes on engines, such as diesel engines, gasoline engines, and steam turbines.

Inductive Magnetic Pickup

It can detect gear, crankshaft, rotating spokes, no need power supply, and without any excitation circuit from the control device. They can be equivalents of similar sensors from America WOODWARD.

Part No.	D	E	F	G	LI	L2
OH-DG-01	M16*1.5	M16*1.5	5/8"-24 BSW-2A	8mm	63.2mm	91.2mm
OH-DG-02	M16*1.5	M16*1.5	5/8"-24 BSW-2A	8mm	86.2mm	114.2mm
OH-DY-01	5/8"-18BSW-2A	5/8"-18BSW-2B	5/8"-24 BSW-2A	3/8"	63.2mm	91.2mm



Technical Parameters

The detection distance (between the sensitive head and gear vertical distance range)	0.25 ~ 1.02mm	Working temperature	-10 ~ +125 °C
Diameter of gear	less than 0.51mm	DC resistance	190 + 10Ω (25°C)
Measuring range	70 ~ 99999 rpm	Anti-vibration	20g
The output frequency	HZ= gear tooth number: * speed /60		
Output voltage	1 ~ 30V sine wave signal (output voltage increases with speed, increasing the output voltage with the air gap increases, depending on gear relative to the output voltage waveform of sensitive head size and shape)		

Nanjing Ouzhuo Technology Co., Ltd

Tel: 86-25-52312738, 83247886

Website: www.zbling.com

www.ohhallsensor.com

Fax: 86-25-52312738

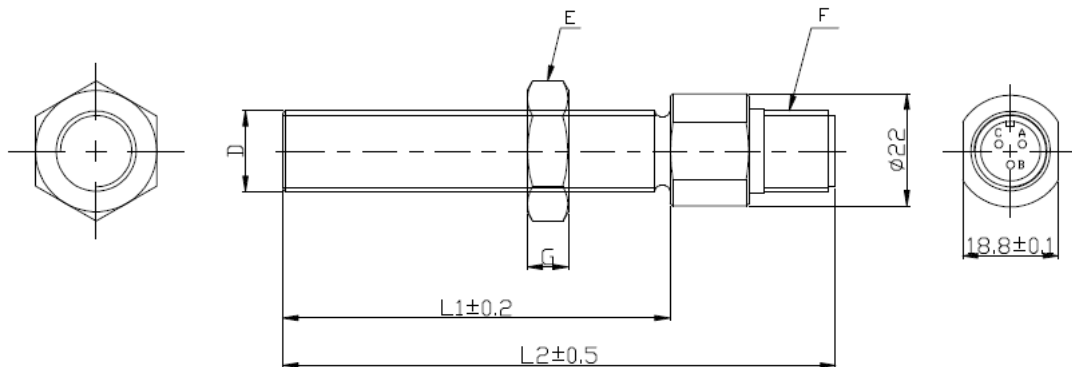
E-mail: ouzhuo@zbling.com

sale@ohhallsensor.com



Hall effect Magnetic Pickup

Part No.	D	E	F	G	L1	L2
OH-HM-01	5/8 "-18 UNF-2A	5/8"-18 UNF-2B	5/8"-24 BSW-2A	3/8 "	76mm	108.5mm
OH-HY-01	5/8 "-18 BSF-2A	5/8"-18 BSF-2B	5/8"-24 BSW-2A	3/8 "	76mm	108.5mm
OH-HG-01	M18*P1.0	M18*P1.0	5/8"-24 BSW-2A	9mm	76mm	108.5mm
OH-HG-02	M18*P1.0	M18*P1.0	5/8"-24 BSW-2A	9mm	120mm	152.5



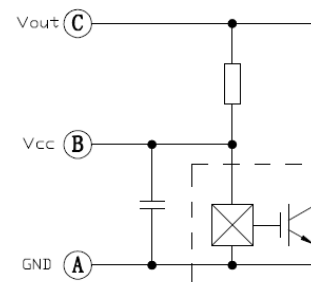
Electrical Characteristics

Parameter		Symbol	Test Condition	Unit
Supply Voltage		Vcc	5 ~ 24	V
Load Current		Icc	≤ 25	mA
Output Voltage(Output low voltage)		VOL	≤ 0.4	V
Output Leakage Current(Output high voltage)		IOH	≤ 10	μ A
Switching Time (Depend on the external circuit)	Raise (10% to 90%)	t	15	μ s
	Fall (90% to 10%)		1	μ s
Frequency Range		f	10 ~ 20000	Hz

Size of the Target (Min)

Height:	0.200in(5.06mm)
Width:	0.100in(2.54mm)
Space	0.400in(10.16mm)
Thickness:	0.250in(6.35mm)

Principle



For more information:

Ouzhuo Technology service you through a worldwide network of sales offices and distributors. For application assistance, current specifications, pricing, or the nearest Authorized Distributor, you could reach us the way you are convenient, thank you for your support!

www.ohhallsensor.com

sale@ohhallsensor.com

China headquarters: 86-25-52312738

Canada Office: 1-514-995-5788

NOTICE:

The information presented in this datasheet is for reference only. Specifications may change without notice.

